

UPC-56B/57/58 Round Outlets

Application

The *Unico System* Supply Outlets are used to terminate and anchor the Supply Duct to a ceiling, floor, or wall and to provide quiet delivery of high velocity air to the conditioned space. The 0.25-inch (6 mm) raised face plate is the only part visible in the room. Unico round outlets are available in a variety of colors and materials as shown on page 2. The standard Supply Outlet (UPC-56B) comes in white plastic.

The wood faced outlet (UPC-57) is identical in size to the standard outlet except for the unfinished solid wood face, which can be stained and finished to match your existing floor. The last two spaces (XX) in the part number for the wood outlet designate the wood type. Wood outlet faces are offered in a variety of wood types.

For use in vaulted ceilings, Unico offers the UPC-58-1-XX outlet which includes an angled face. The outlet is available with the faceplate angled at either 15° or 25°.

All outlets can be painted or stained to match any décor and the UPC-56B and UPC-58 are available in black, brass, or chrome along with the standard white. UPC-56B/57 are shipped with toggles and screws. Standard installation and outlet kits include the white UPC-56B outlet.

Specifications

Recommended airflow: 30 to 35 CFM (14 to 16.5 l/s)
20 to 40 CFM (9.4 to 18.9 l/s) acceptable

Recommended number of outlets: 6 per nominal ton
(1.7 outlets per kW)

Outlet material: 30% glass filled Polypropylene UL-94 Rating – HB
(UPC-56B/57, UPC-58 base)
wood, unfinished (UPC-57 faceplate)

Size of opening: 4-inch (100-mm) or 3-3/8-inch (86-mm)

Weight: UPC-56B/58: 3.0 oz (85 g)
UPC-57: 4.2 oz (119 g)

Installation

The outlets can be placed in the ceiling, floor or wall. The best place for ceiling outlets is the corner – center the hole 5 inches (125 mm) from each wall. If that is not possible or practical, anywhere out of the traffic pattern is acceptable. Be sure an outlet screen (UPC-88) is installed to prevent objects from falling into the duct when used in floor applications. This screen is included with the UPC-57 unfinished wood outlet.



Figure 1. Supply Outlet (UPC-56B)

For side wall outlets, position the outlet above head height as near to the ceiling as possible. The standard round supply outlet can not be installed in a 2x4 or 2x6 stud wall as there is insufficient room to bend the sound attenuating tubing. For such installations use the slotted outlet (see Bulletin 20-70). Otherwise, if there is room for a bend radius 6 inches (152 mm) or greater, such as a soffit above a kitchen cabinet or space above closet doors, it is acceptable to use a round terminator.

With the outlet terminator connected to the end of the sound attenuator install the two toggles and screws in the mounting holes in the terminator faceplate. Feed or pull the terminator through the 4-inch (102 mm) hole in the ceiling or floor until the two spring toggles begin to enter the hole. Force the upper portion of the toggles inward until they snap over the edge of the ceiling or floor. The toggles should be centered on a line parallel to the direction of the duct run from the outlet to the plenum takeoff. Loosen the screws if necessary to assure toggles are sprung over the edge of the hole. Tighten the screws until the cover plate is snug against the ceiling or floor. To prevent damage to the outlet do not overtighten the outlet.

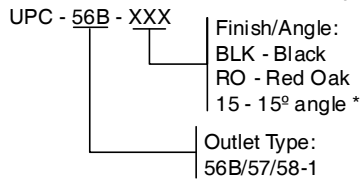
The supply outlet can be installed in the floor without toggles by drilling a hole 3-3/8-inch (86 mm) in diameter instead of 4-inch (102 mm) and screw the cover plate directly to the floor by drilling two 5/64-inch (2 mm) diameter holes on a 3-3/4-inch (95 mm) diameter bolt circle. The UPC-56B supply outlet can be inserted into the 3-3/8-inch (86 mm) hole and used as a template for the two screw holes. When installing the screws be careful that they do not break into the 3-3/8-inch (86 mm) hole; drill and install

at a very slight angle away from the 3-3/8-inch hole if necessary.

Wood faced outlets may be mounted in the same 3-3/8-inch (86 mm) hole without using any mounting hardware. If desired, the outlet may be mounted with counter sunk wood screws on a 3-3/4-inch (95 mm) hole. Another mounting option for the wood faced outlet is to use a silicon or latex caulk that will adhere to the outlet but not permanently. Apply a bead of the caulk to the back of the faceplate before mounting and press the outlet in place wiping away any excess caulk protruding from the edge of the faceplate. Wood glue may be also used to mount the faceplate but this option is permanent and removal of the outlet is difficult without causing damage to the surface the outlet is mounted on.

Additional installation instructions are available in Bulletin 30-05 "Installation Manual for Air Distribution Systems".

Unico Outlet Part Number Descriptor



* For UPC-58-1 finishes other than white add finish type after angle. Example: UPC-58-1-15-BLK

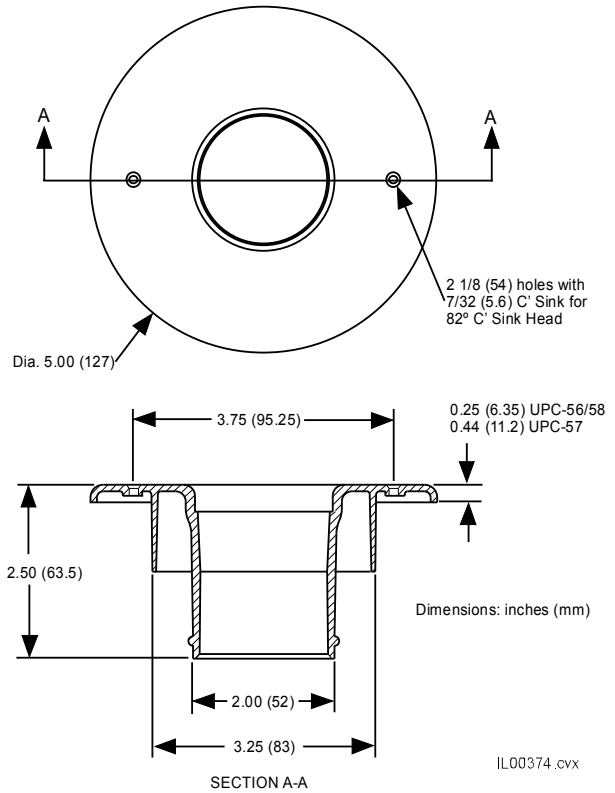


Figure 2. Supply Outlet Dimensions

Unico Outlets are available in the following optional finishes:

